

# DCT450

BATTERY-POWERED ELECTRIC VEHICLE ON CRAWLERS  
FOR LOADS **UP TO 450 KG**

ZERO EMISSIONS

QUIET

LOW MAINTENANCE



**Remote control for  
the highest safety  
standards**



**Integrated battery  
charger**



**Designed to climb  
the stairs**



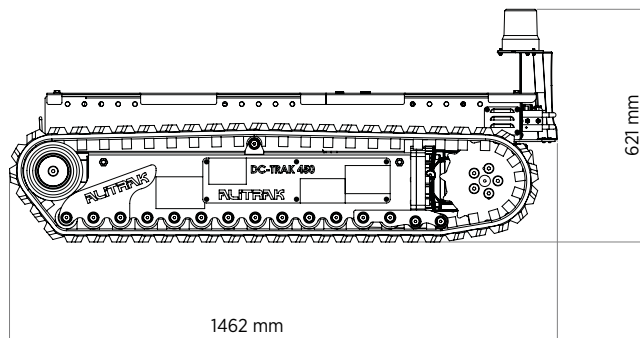
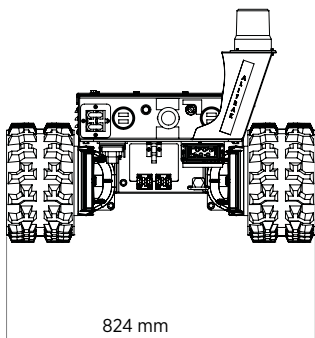
**Set up to install  
hydraulic pump  
accessory**



The DCT-450 is an electric vehicle on batteries. Featuring crawlers with special tread design and equipped with two powerful motors, has been designed to meet the most challenging ground conditions and to easily climb the stairs. The driving system employed in the DCT-450 is the remote control, which ensures the highest safety standards. It is possible to install an hydraulic pump for the management of skip tipping.

**ALITRAK**<sup>®</sup>  
ELECTRIC MINDED

[www.alitrak.com](http://www.alitrak.com)

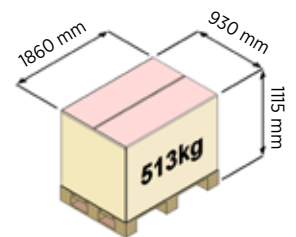


## FEATURES

Equipment body	<b>On crawlers</b>
Driving control type	<b>Remote control</b>
Accelerator	<b>2 Joysticks</b>
Battery charger	<b>Integrated</b>
Dashboard display	<b>Remaining battery charge Equipment failure indications Hour meter</b>
Parking brake	<b>Electromagnetic</b>
AGM batteries	<b>4 x 12V/114 Ah C20</b>
Electric motor	<b>2x24V/1300 watt SE S 2 30 MIN (2x48V/1500 watt AC S1 DCT 450 Performance)</b>
Operational indicator	<b>Flashing light</b>
Product net weight	<b>463 kg</b>

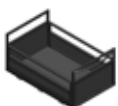
## PERFORMANCE

Loading capacity on flat surfaces	<b>450 kg</b>
Max gradient	<b>57%</b>
Max lateral gradient	<b>37%</b>
Forward speed	
Fast	<b>4,5 Km/h</b>
Slow	<b>2,3 Km/h</b>
Reverse speed	
Fast	<b>4,5 Km/h</b>
Slow	<b>2,3 Km/h</b>
Battery recharging time	<b>8 hours</b>



features shown are subject to change without notice

## ACCESSORIES



Sided flatbed



Skip



Hydraulic pump and lifter for skip



Hydraulic pump and dozer



Wired control

**ALITRAK**<sup>®</sup>  
ELECTRIC MINDED

www.alitrak.com