

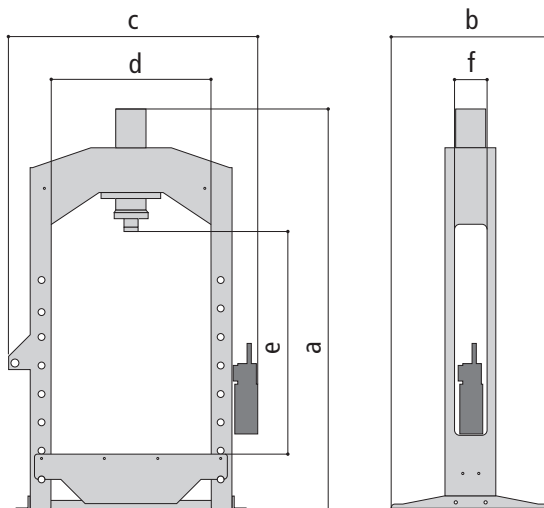


P30 / P50 MANUAL HYDRAULIC PRESS WITH MANUAL PUMP

30 / 50 tons

Heavy duty, **entirely laser-cut**.
Equipped with a double-speed pump: fast mode for low pressure and slow mode for high pressure. Cylinder is fitted with a spring return device and a pressure gauge.

Technical data			
	UM	P30	P50
Max capacity	[tons]	30	50
Weight	[kg]	250	400
Max pressure	[bar]	400	400
Speed in fast mode	[l/min]	3.2	3.2
Speed in slow mode	[l/min]	0.28	0.28
Cylinder stroke	[mm]	170	170



Dimensions						
	a	b	c	d	e	f
P30	1990	700	1250	700	1120	130
P50	2000	800	1350	800	1060	160

