

# TT3000

BATTERY-POWERED ELECTRIC TUG  
TO PULL LOADS UP TO 14000 KG

ZERO EMISSIONS

QUIET

LOW MAINTENANCE



**Tilting tiller with micro safety switch and automatic return to rest position**



**Speed switch**  
to operate in narrow spaces



**4 Hooks** to pull at different heights



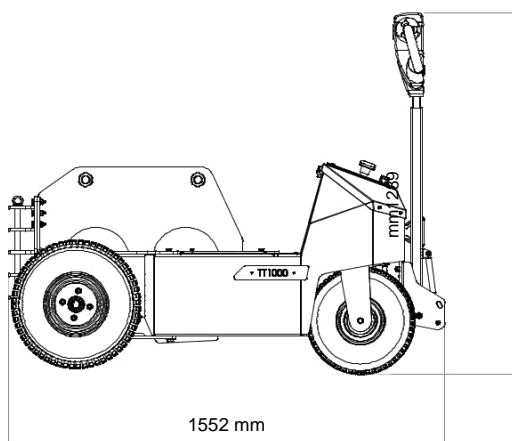
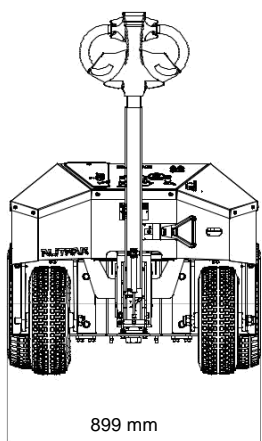
**Integrated battery charger** with charge status information

  
MADE IN ITALY

The TT-3000 is a towing equipment on four wheels with a powerful motor, designed to tug heavy loads. In spite of significant size and weight, it is agile and safe. The opportunity to add ballast for increased traction, completes the characteristics of this particular vehicle. (Product image with ballast accessory, not included in the basic version).

**ALITRAK**<sup>®</sup>  
ELECTRIC MINDED

[www.vdh-machines.com](http://www.vdh-machines.com)



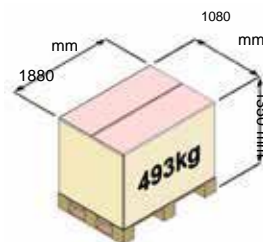
## FEATURES

Equipment body	<b>4 wheels</b>
Driving wheel	<b>Garden type</b>
Driving control type	<b>Tilt tiller</b>
Accelerator	<b>Butterfly type</b>
Hook Height (4)	<b>Abt 260 mm 340 mm 420 mm 500 mm</b>
Battery charger	<b>Integrated with charge status information</b>
Dashboard display	<b>Remaining battery charge Equipment failures Hour meter</b>
Parking brake	<b>Electromagnetic with the possibility of release</b>
AGM batteries	<b>4 x 12V/114 Ah C20</b>
Electric motor	<b>24V/3000 watt AC S2 60 min.</b>
Product net weight	<b>430 kg</b>

## PERFORMANCES

Pulling capacity on flat surfaces	<b>14000 kg</b>
Pulling speed	<b>Fast 4 Km/h – Slow 2,5 Km/h</b>
Pushing speed	<b>Fast 3 Km/h – Slow 1,5 Km/h</b>
Battery recharging time	<b>8 hours</b>

Features shown are subject to change without notice



## ACCESSORIES



Tow ball



Towing hitch



Ballasts



Different tyres and tread profiles



Polyurethane filled wheels



Flashing light



Pushing block

**ALITRAK**  
ELECTRIC MINDED

[www.vdh-machines.com](http://www.vdh-machines.com)